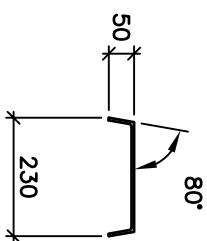
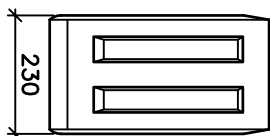
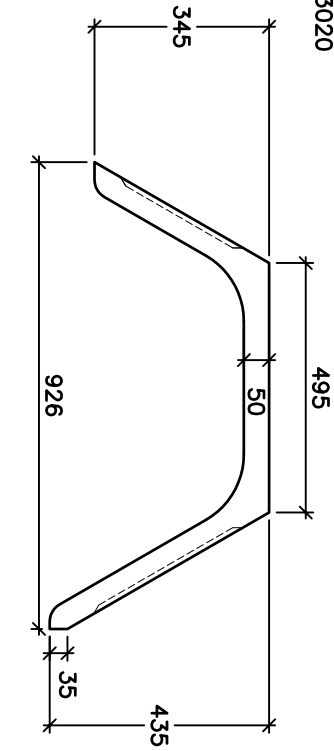


P230

UTE MUDGUARD

GUARD-3020



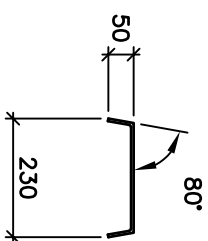
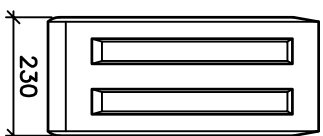
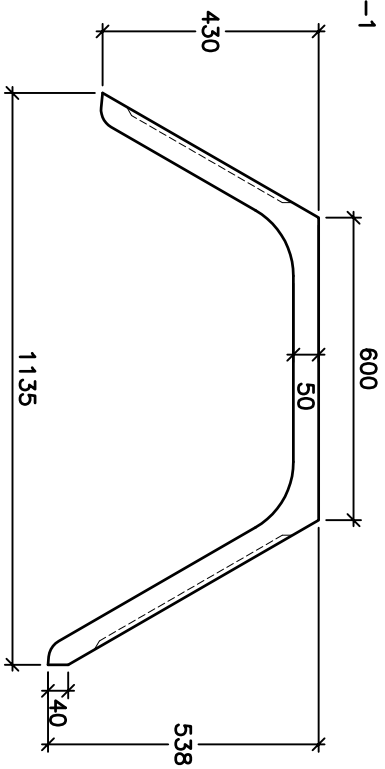
SECTION PROFILE

WEIGHT-2.5kg

P230L

UTE MUDGUARD LONG

GUARD-3020-1



SECTION PROFILE

MATERIAL-MEDIUM DENSITY, U.V. STABILIZED, HIGH STRESS CRACK RESISTANT, LINEAR THERMOPLASTIC 'POLYETHYLENE'.
THICKNESS-4.5mm NOMINAL.
COLOUR-SILVER- OTHER COLOURS TO ORDER

WEIGHT-2.7kg

DYNAPLAS PTY LTD

**POLYETHYLENE
MUDGUARDS**

**P230
P230L**



SCALE	N.T.S.	DRAWING No.
DRAWN	B J M	
DATE	11.7.04	REV
		A
		A4-3020