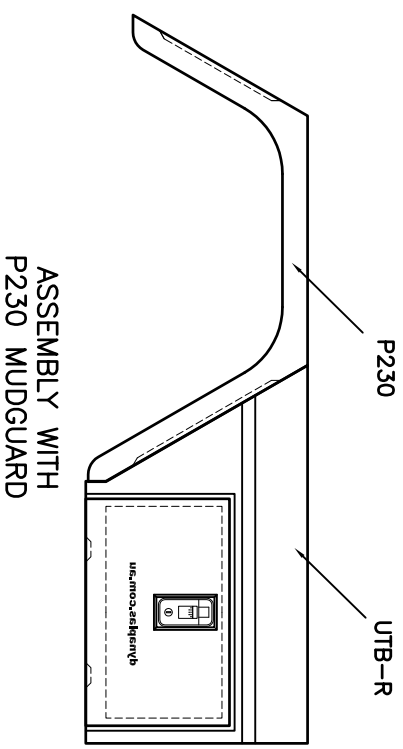
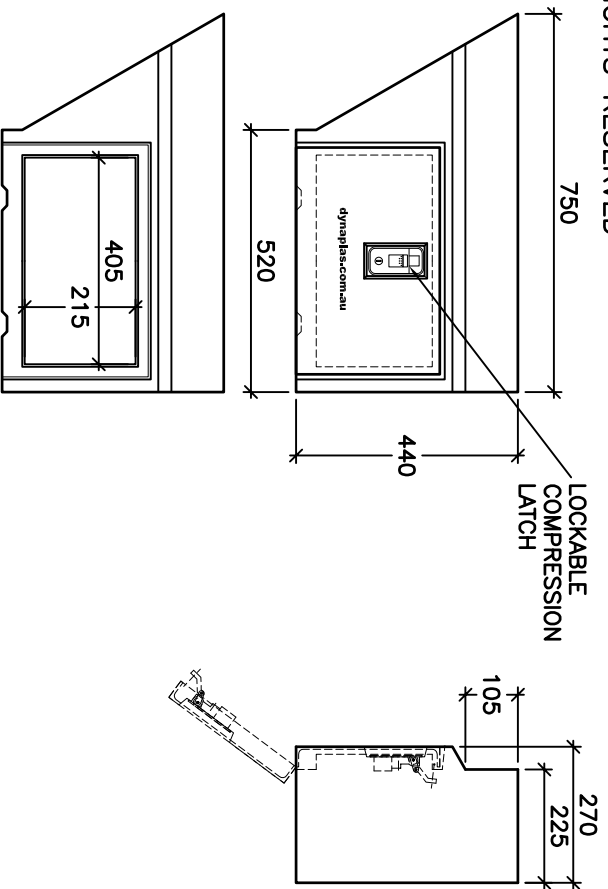


UTB-L

UNDER BODY
UTE TOOL BOX
LEFT
BOX-3021



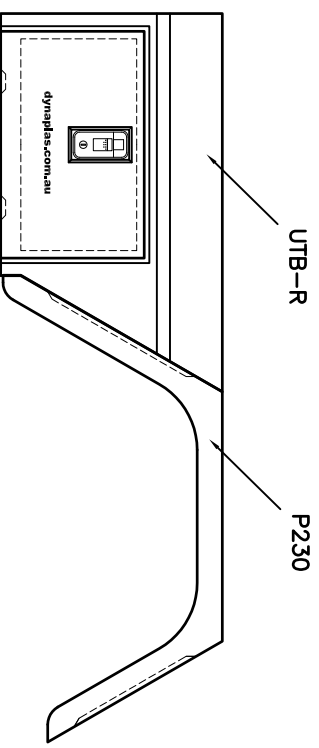
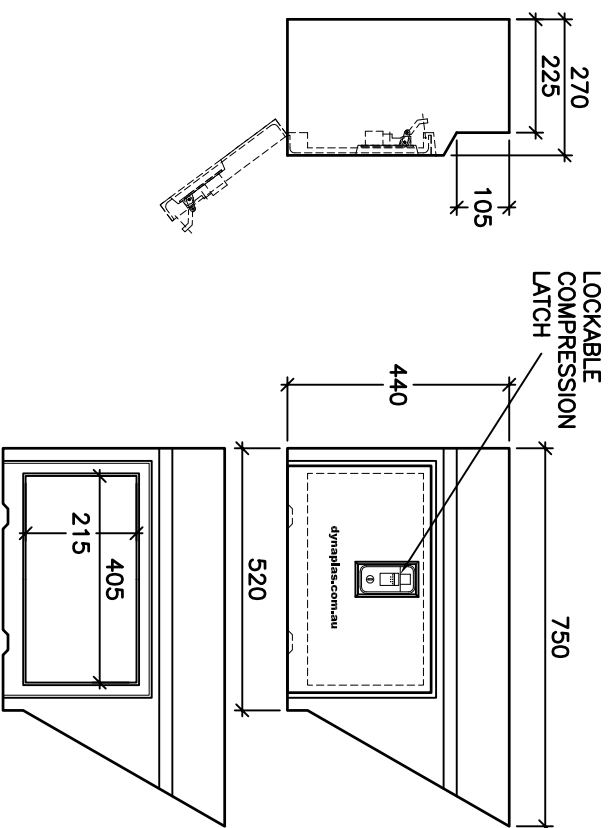
ASSEMBLY WITH
P230 MUDGUARD

WEIGHT-6.6kg

MATERIAL-MEDIUM DENSITY, U.V. STABILIZED, HIGH STRESS CRACK
RESISTANT, LINEAR THERMOPLASTIC 'POLYETHYLENE'.
THICKNESS-5.0mm NOMINAL.
COLOUR-SILVER- OTHER COLOURS TO ORDER

UTB-R

UNDER BODY
UTE TOOL BOX
RIGHT
BOX-3021-1



ASSEMBLY WITH
P230 MUDGUARD

WEIGHT-6.6kg

DYNAPLAS PTY LTD

**POLYETHYLENE
TOOL BOX**

**UTB-L
UTB-R**



SCALE	N.T.S.	DRAWING No.
DRAWN	B J M	
DATE	11.7.04	REV
		B
		A4-3021