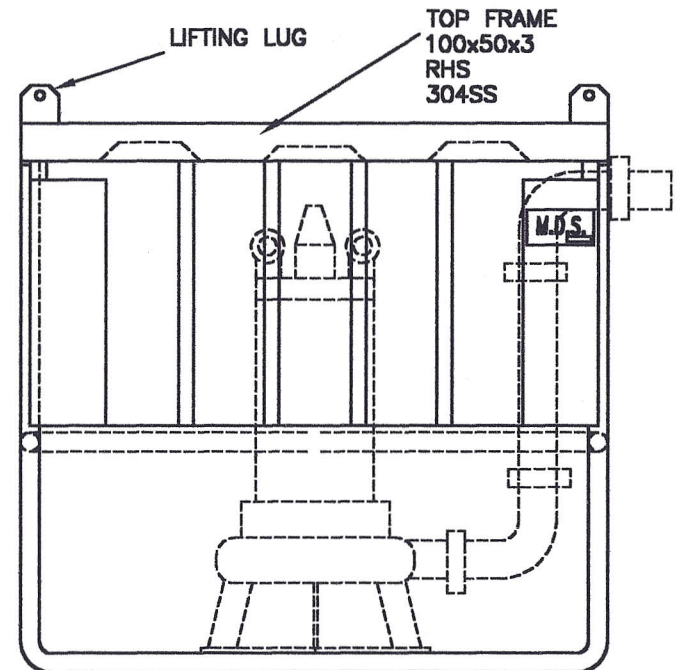
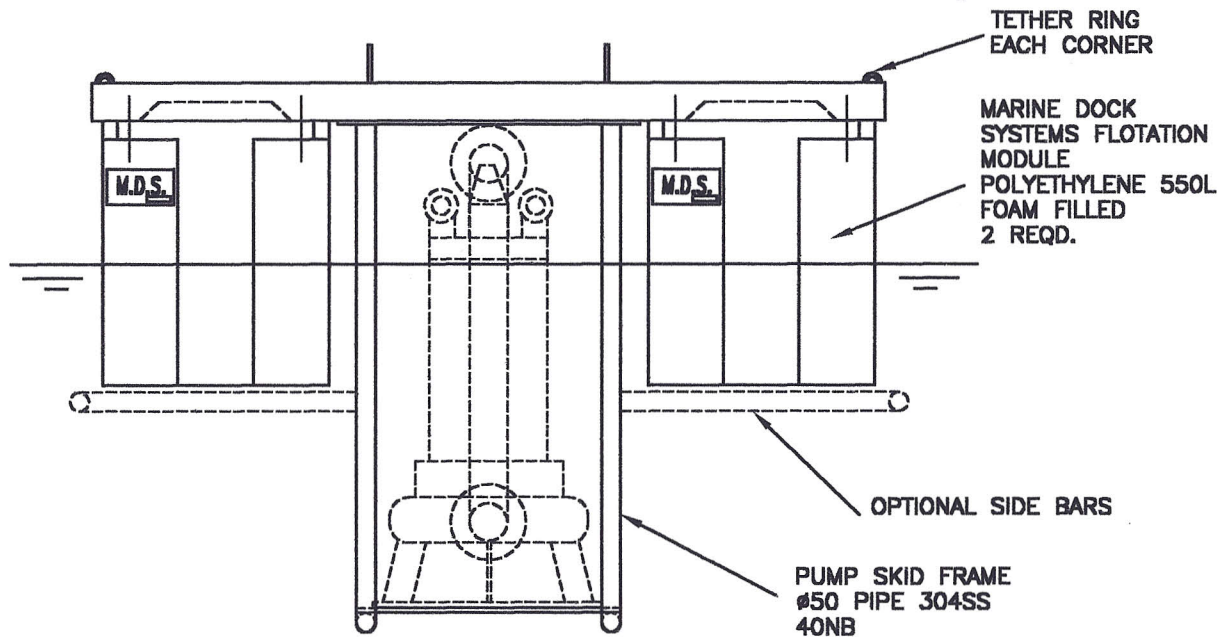


NOTE--ALL FRAME WORK IS 304SS
 --ALL FASTENERS ARE 304SS
 --FLOTATION MODULES ARE MARINE DOCK SYSTEMS 550L POLYETHYLENE WITH CLOSED CELL POLYURETHANE FOAM FILLING.
 --ALL WELDS THAT MAY COME IN CONTACT WITH LAGOON LINER, TO BE FINISHED SMOOTH OR FINISHED WITH A 3mm MIN. RADIUS



**MARINE DOCK SYSTEMS
 PTY LTD**

**SUBMERSIBLE PUMP
 PONTOON
 2x550L FLOATS**

PONTOON-2717



| | | | | |
|-------|--------|-----|----------------|--------|
| SCALE | N.T.S. | DWG | A4-2717 | |
| DRAWN | JPM | REV | A | 4,2,02 |
| DATE | 4,2,02 | CHK | APP'D | |