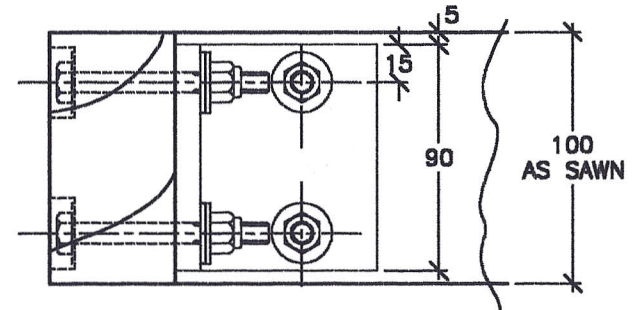
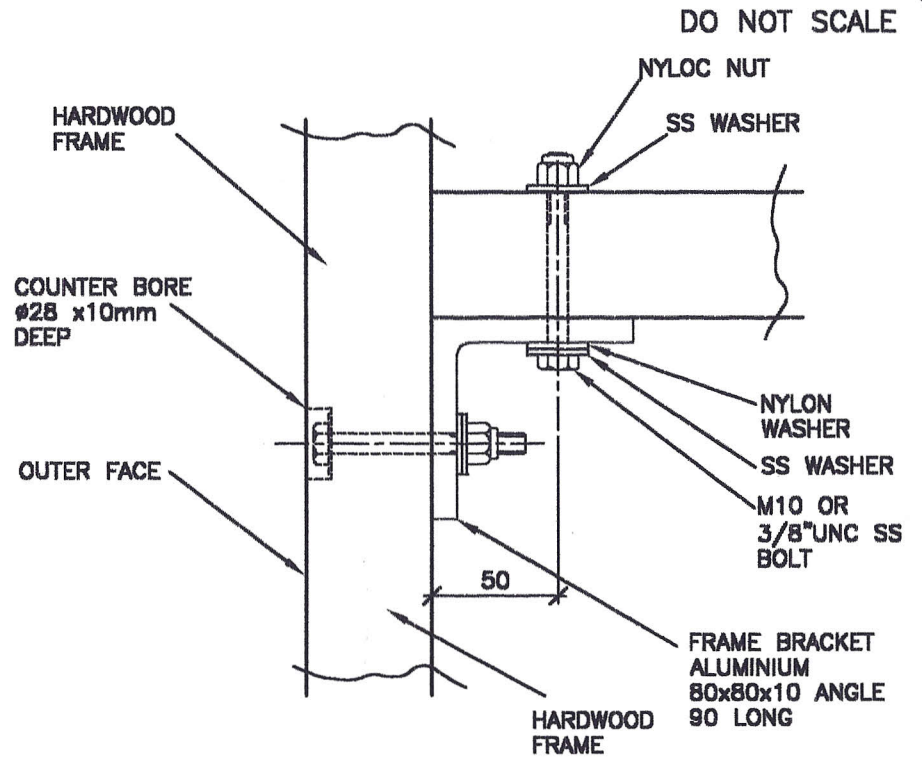
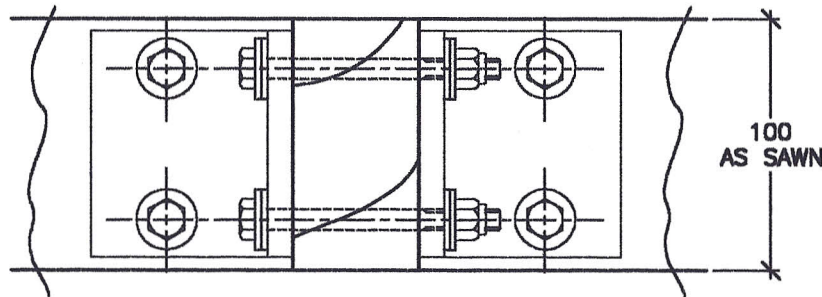
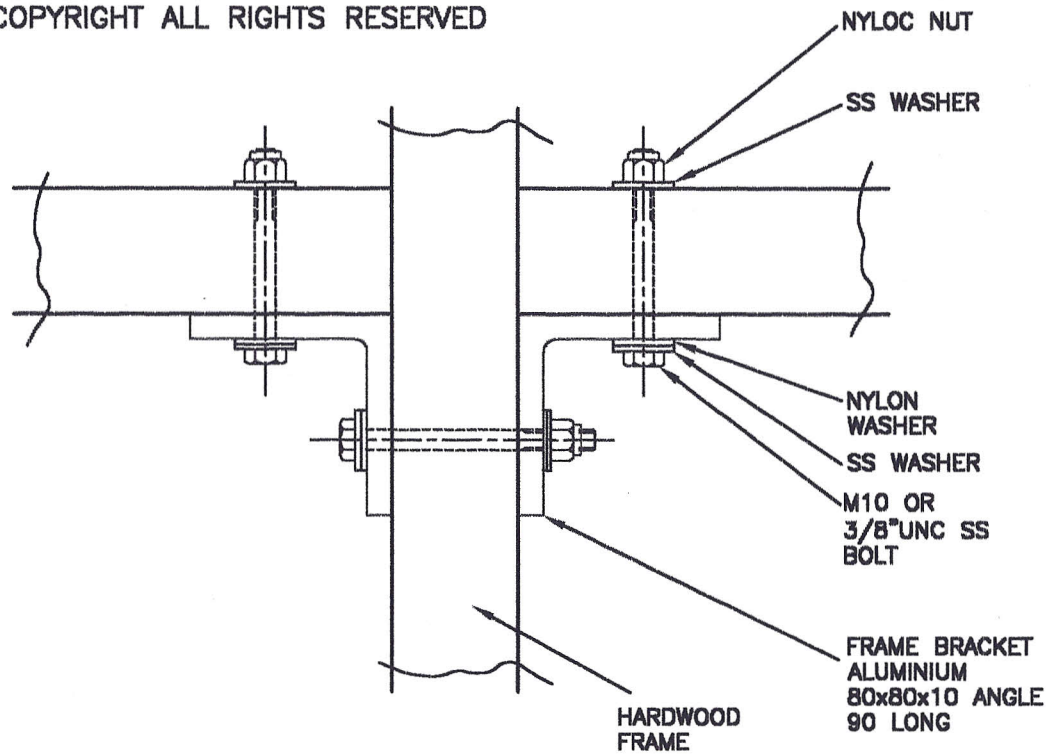


COPYRIGHT ALL RIGHTS RESERVED



NOTE:  
 -ALL FASTENERS ARE 304 OR 316 STAINLESS STEEL.  
 -ALL THROUGH BOLTS ARE FITTED WITH NYLOC NUTS.  
 -USE ANTI-SIEZE COMPOUND ON BOLT THREADS PRIOR TO FASTENING.  
 -FRAME BRACKETS ARE ALUMINIUM 6063-T5.  
 -STAINLESS STEEL FASTENERS IN CONTACT WITH ALUMINIUM ARE TO BE ISOLATED WITH A NYLON WASHER.

CROSS MEMBER DETAIL

CORNER BRACKET DETAIL

**MARINE DOCK SYSTEMS  
 PTY LTD**

**PONTOON FRAME  
 CONSTRUCTION DETAIL**

100mm FRAME



SCALE	N.T.S.	DWG	<b>A4-2912</b>	
DRAWN	JPM	REV	A	17,4,02
DATE	17,4,02	CHK	APP'D	