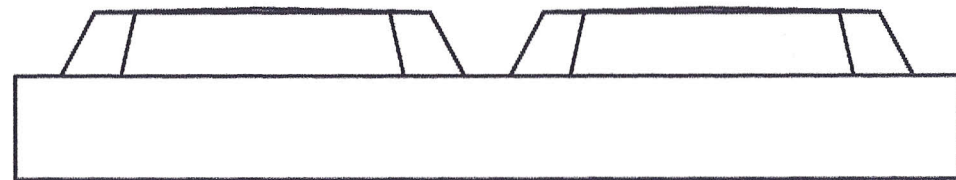
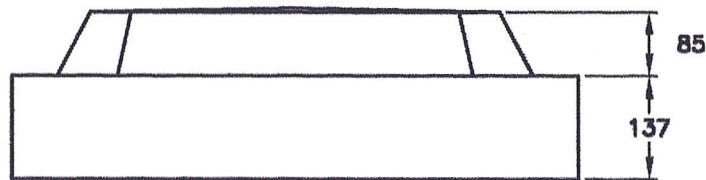
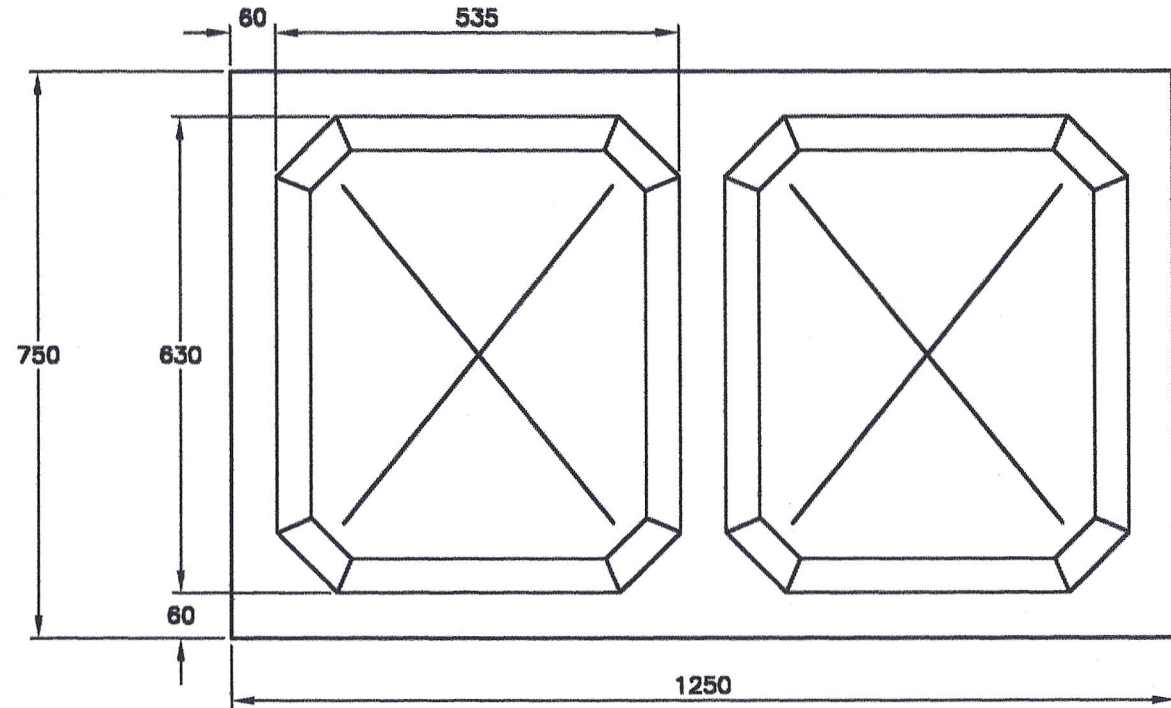


COPYRIGHT ALL RIGHTS RESERVED

DO NOT SCALE



**MARINE DOCK SYSTEMS  
PTY LTD**

185 LITRE  
FLOTATION MODULE

FLO185-2914



SCALE	N.T.S.	DWG	<b>A4-2914</b>	
DRAWN	JPM	REV	A	7,7,03
DATE	7,7,03	CHK		APP'D