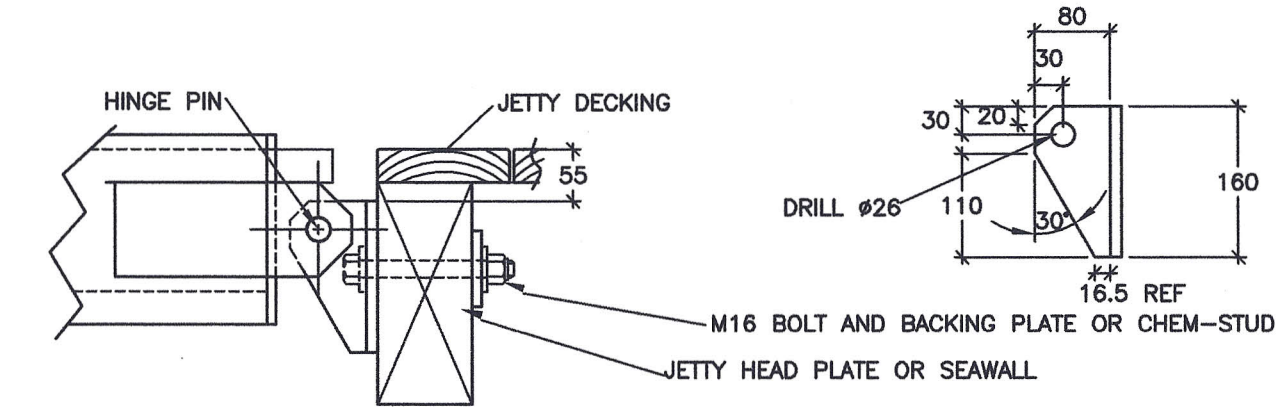
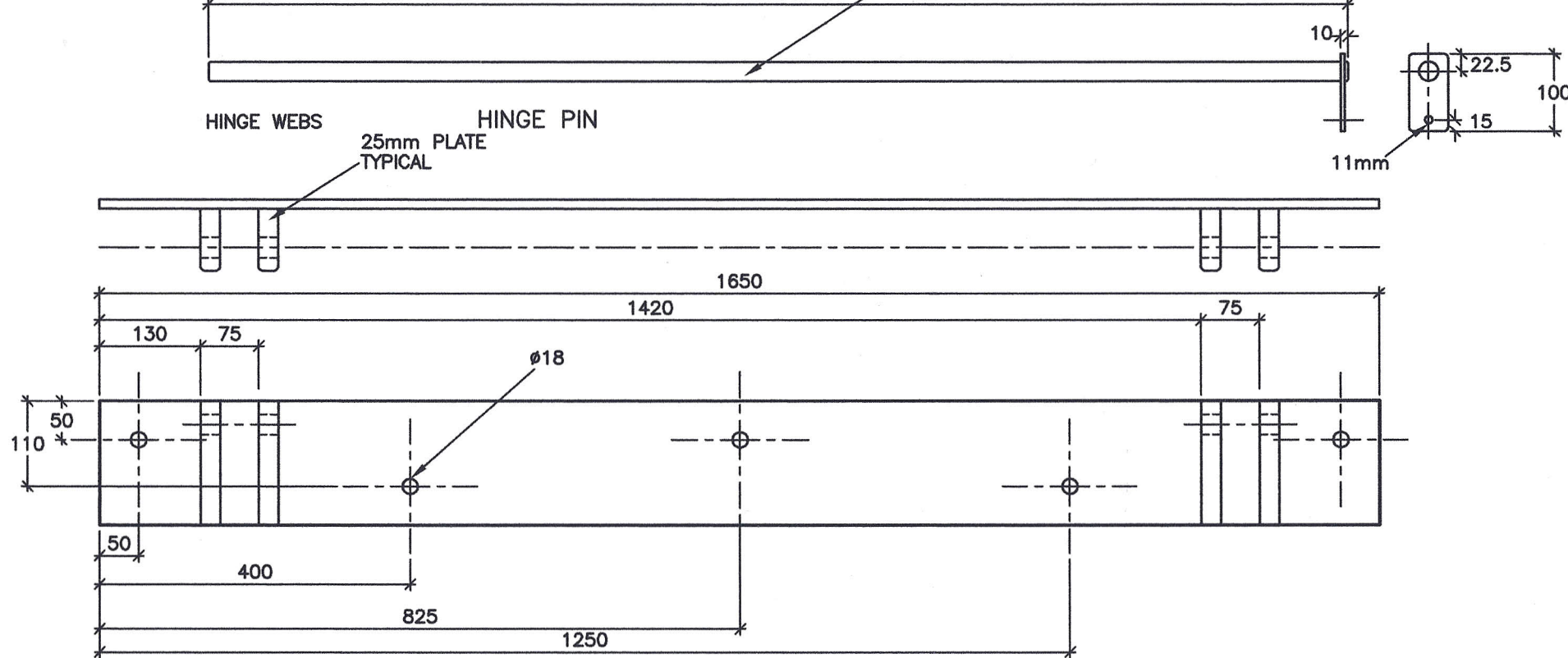


COPYRIGHT ALL RIGHTS RESERVED

1470 ϕ 25mm 316SS

DO NOT SCALE



SUIT RAMP-2982

NOTE-ALL STRUCTURE IS FULLY WELDED.
 -THE NOMINAL WELD SIZE IS TO BE 6mm.
 -ALL EXTRUSIONS ARE TO BE OF GRADE 6063 T5 OR EQUIVALENT
 -FILLER ALLOY IS TO BE OF GRADE 5356 OR EQUIVALENT MATERIAL OF SIMILAR OR GREATER STRENGTH.

HINGE ASSEMBLY SIDE VIEW

MARINE DOCK SYSTEMS PTY LTD	ALUMINIUM RAMP HINGE BRACKET	BRACKET AND ASSEMBLY DETAIL		SCALE	N.T.S.	DWG	A4-2983	
				DRAWN	J.P.M	REV	A	7,4,01
				DATE	7,4,01	CHK		APP'D