

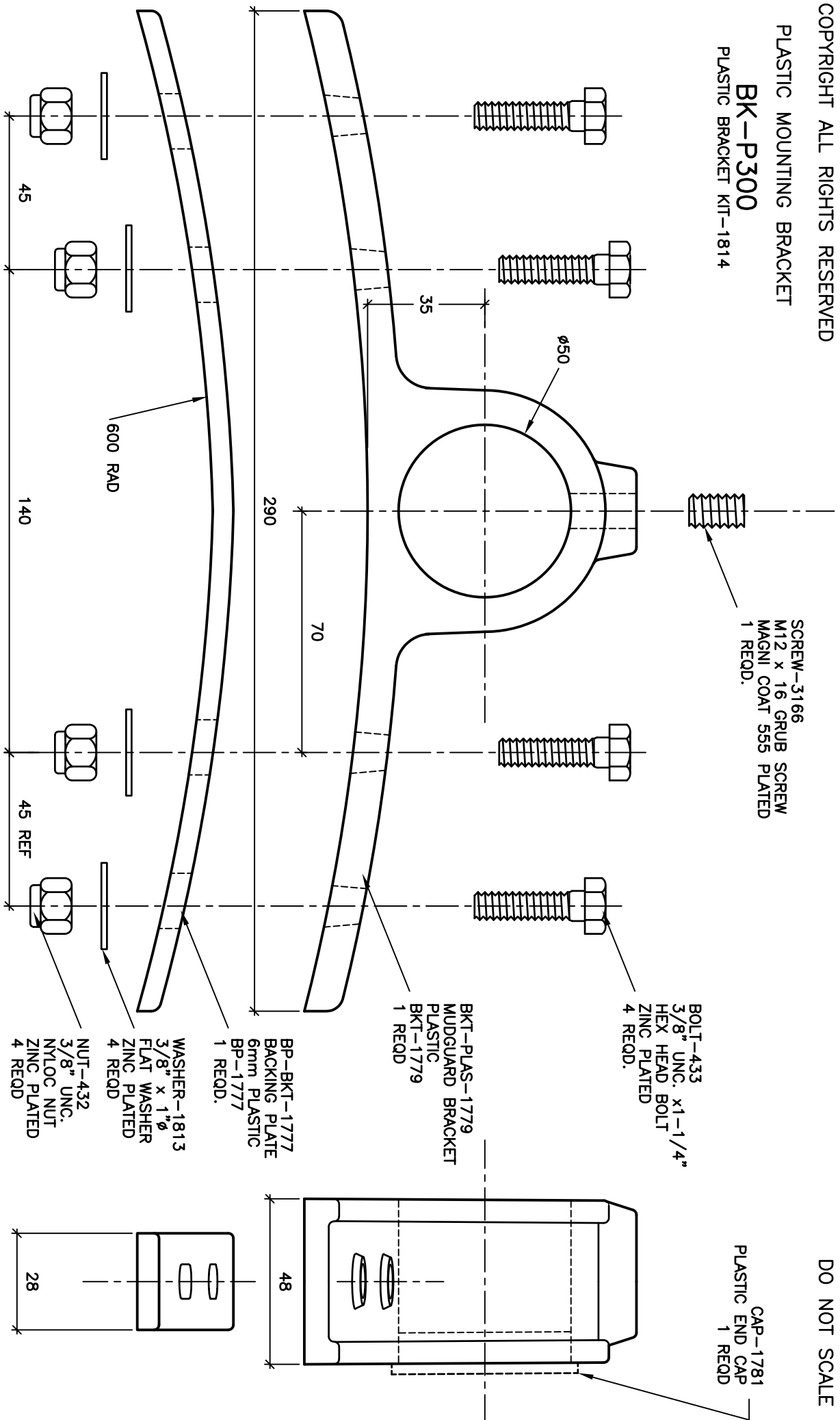
COPYRIGHT ALL RIGHTS RESERVED

DO NOT SCALE

PLASTIC MOUNTING BRACKET

BK-P300

PLASTIC BRACKET KIT-1814



SCREW-3166
M12 x 16 GRUB SCREW
MAGNI COAT 555 PLATED
1 REQD.

BOLT-433
3/8" UNC. x 1-1/4"
HEX HEAD BOLT
ZINC PLATED
4 REQD.

BKT-PLAS-1779
MUDGUARD BRACKET
PLASTIC
BKT-1779
1 REQD

BP-BKT-1777
BACKING PLATE
6mm PLASTIC
BP-1777
1 REQD.

WASHER-1813
3/8" x 1" ϕ
FLAT WASHER
ZINC PLATED
4 REQD
NUT-432
3/8" UNC.
NYLOC NUT
ZINC PLATED
4 REQD

CAP-1781
PLASTIC END CAP
1 REQD

ASSEMBLY WEIGHT-0.4KG
COLOUR-BLACK, SILVER, RED, WHITE, DARK BLUE, LIGHT BLUE, DARK GREEN

DYNAPLAS PTY LTD

PLASTIC
BRACKET KIT-300mm

BK-P300



SCALE	N.T.S.	DWG	A4-1814
DRAWN	J.P.M	REV	C
DATE	4.11.98	CHK	APP'D
			28.4.06