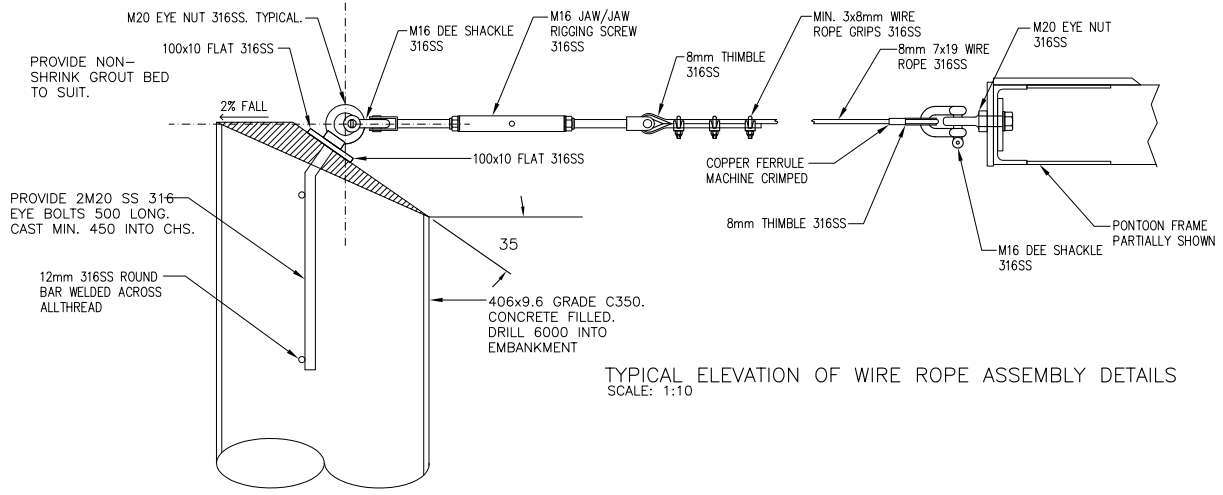
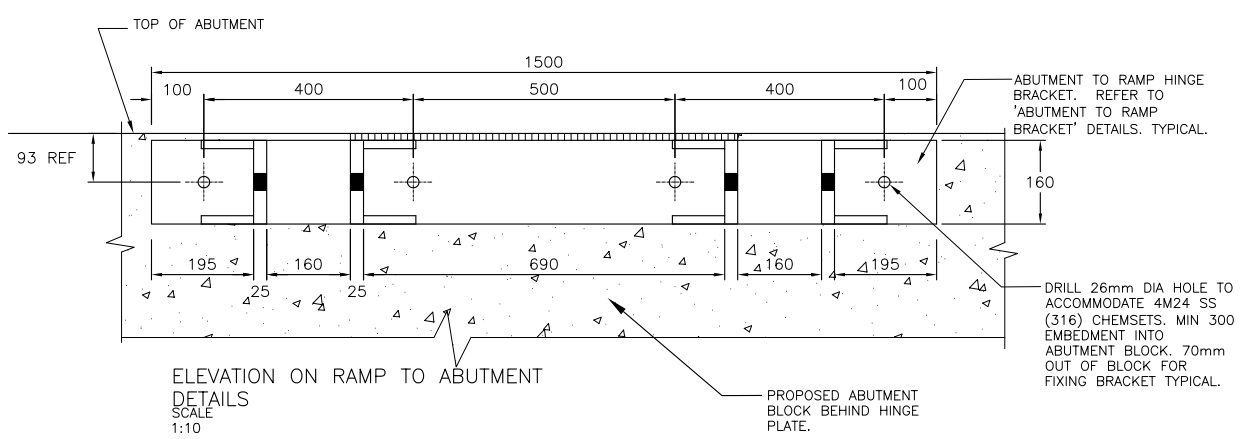


TYPICAL PLAN OF WIRE ROPE ASSEMBLY
 DETAILS
 SCALE:
 1:10



TYPICAL ELEVATION OF WIRE ROPE ASSEMBLY
 DETAILS
 SCALE: 1:10



ELEVATION ON RAMP TO ABUTMENT
 DETAILS
 SCALE:
 1:10