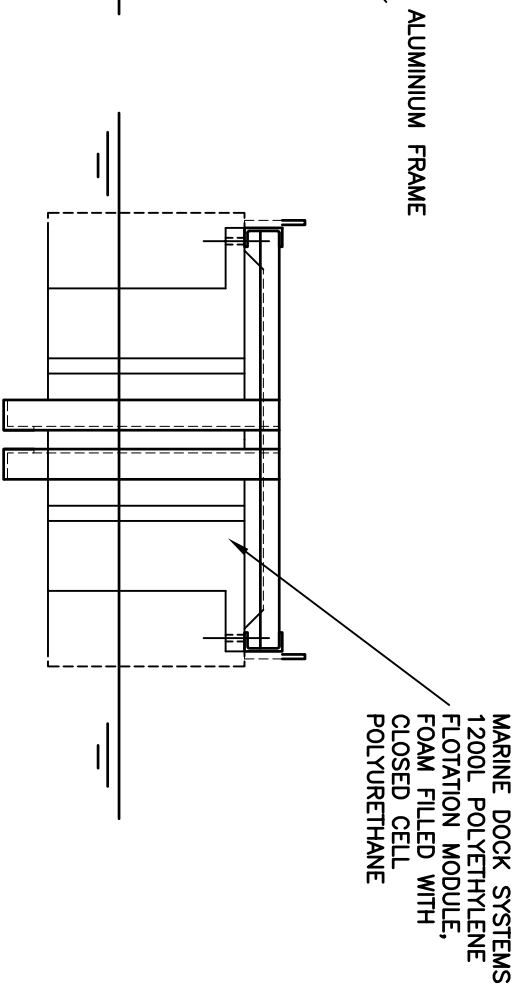


ALL FASTENERS
ARE 316SS



CONCEPT ONLY



MARINE DOCK SYSTEMS
1200L POLYETHYLENE
FLOATATION MODULE,
FOAM FILLED WITH
CLOSED CELL
POLYURETHANE