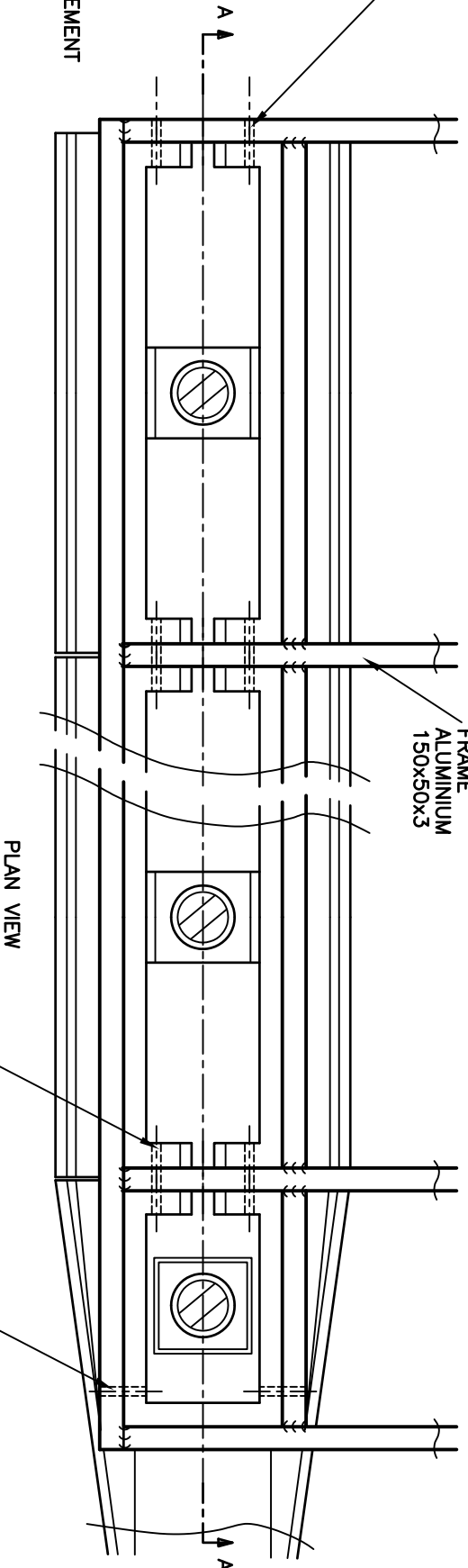


COPYRIGHT ALL RIGHTS RESERVED

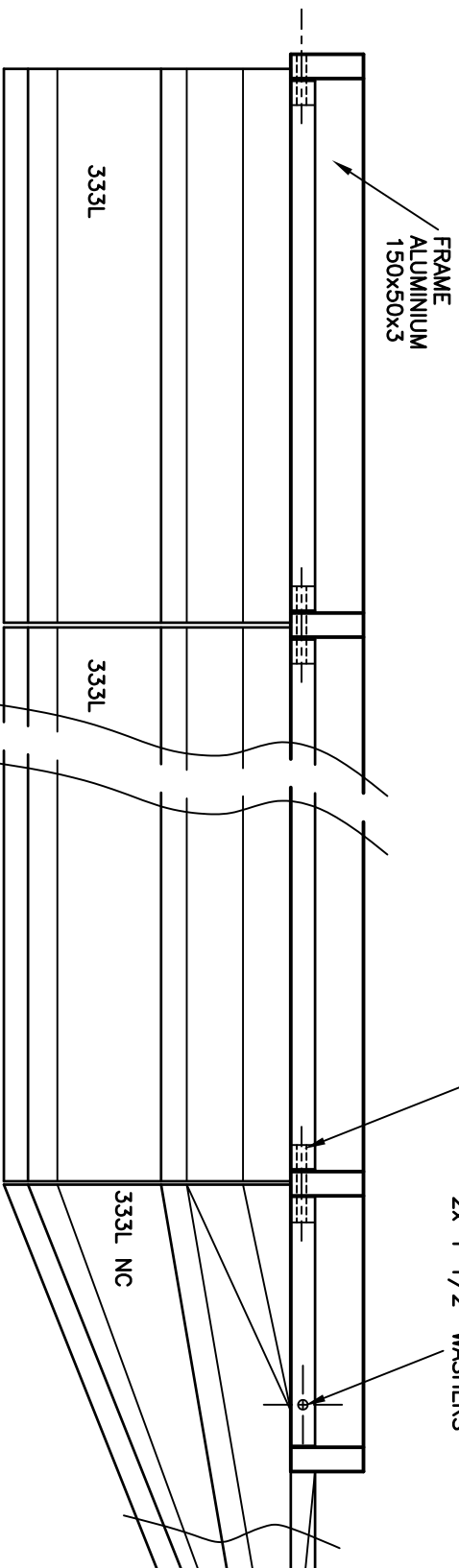
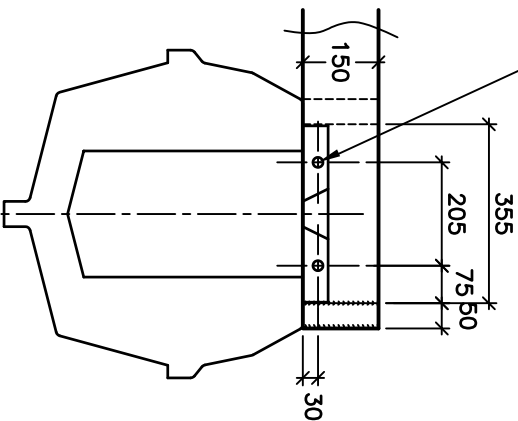
DO NOT SCALE

FASTENER.  
SAME AS NOSE CONE  
SIDE FASTENER

NOTE - FOR FRAME DETAIL  
REFER TO A4-233  
FOR FABRICATED  
BOLT DETAIL,  
REFER TO A4-490  
AND A4-491.  
FOR FLOAT DETAILS,  
REFER TO A4-184  
AND A4-306.  
FOR GENERAL ARRANGEMENT  
OF 6.9m CRAFT,  
REFER TO A4-775.



Ø 18 HOLES  
TO BE DRILLED FOR FLOAT  
MOUNTING.



MARINE DOCK SYSTEMS  
PTY LTD

PONTOON CRAFT  
DETAIL

FLOTATION MODULE  
ASSEMBLY

TOLERANCES  
LINEAR ±1.0  
ANGULAR ±0.2°  
HOLE CTRS ±0.5

SCALE N.T.S.  
DRAWN BJM

DATE 31.10.95 REV A  
DRAWING No. **A4-774**