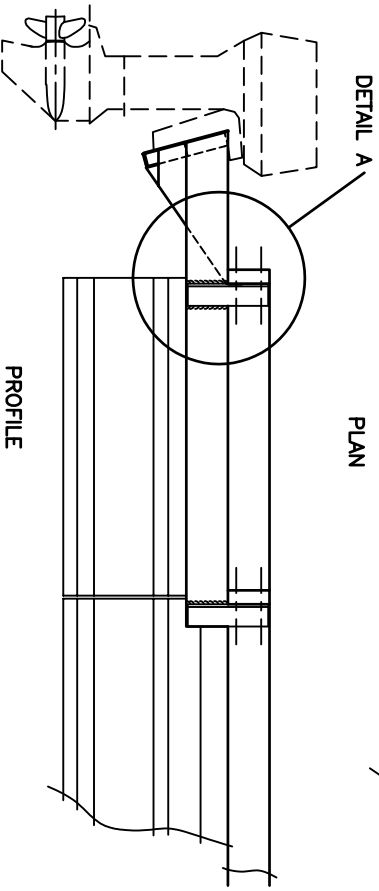
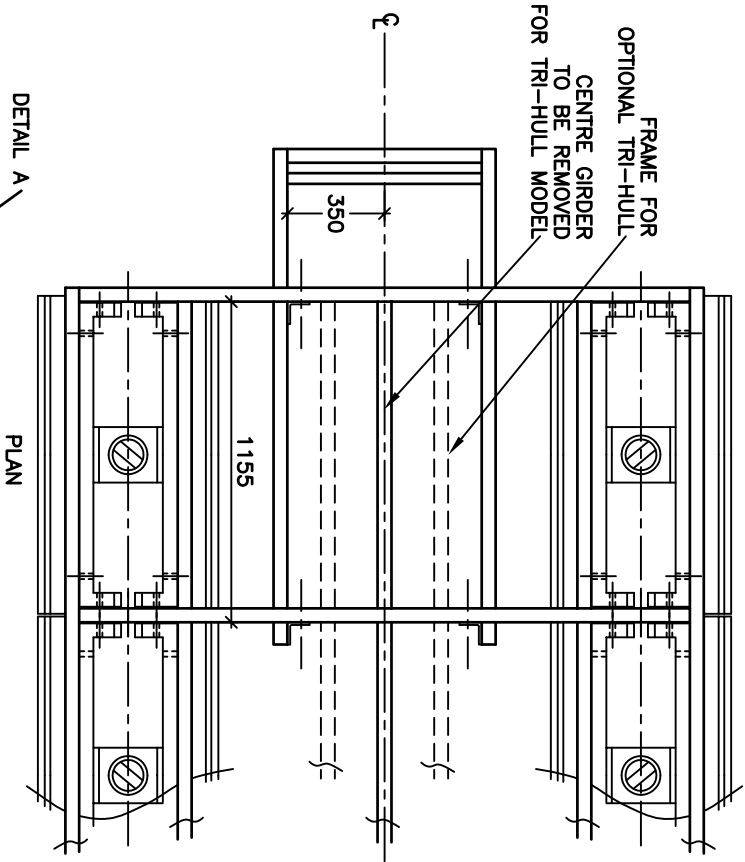


COPYRIGHT ALL RIGHTS RESERVED



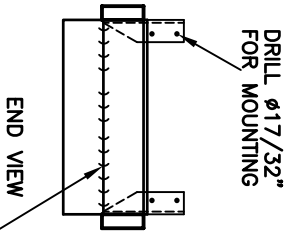
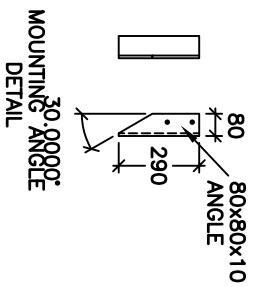
BRACKET IS TO SUIT 20" SHAFT LENGTH MOTORS

MARINE DOCK SYSTEMS
PTY LTD

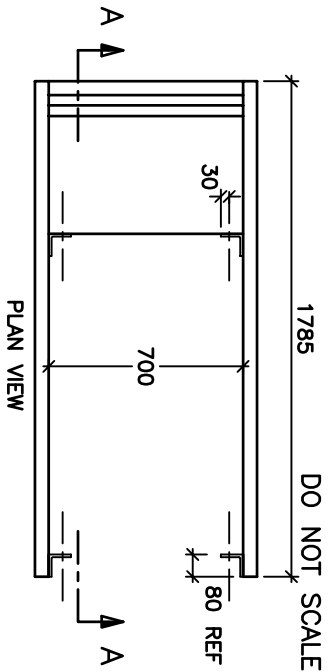
PONTOON CRAFT
DETAIL

OUTBOARD
BRACKET

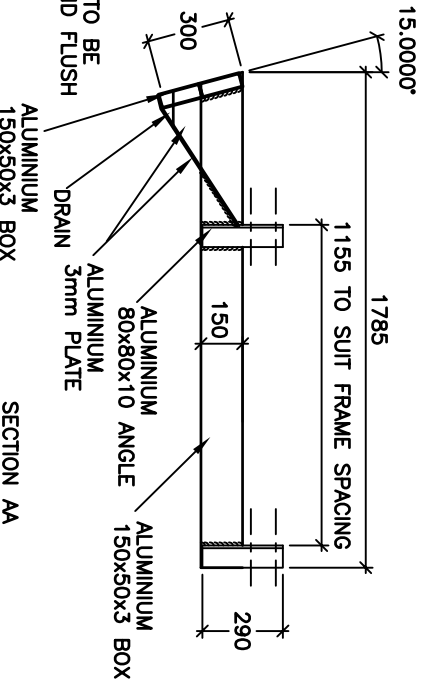
NOTE-ALL STRUCTURE IS TO BE FULLY WELDED.



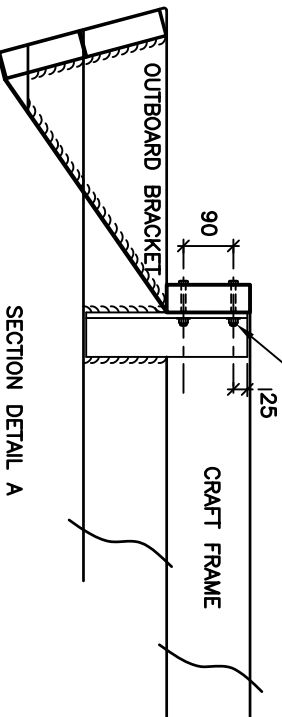
OUTBOARD BRACKET



DO NOT SCALE



FASTENERS
3/8" UNC. BOLTS x 3"
2x 1" WASHERS AND
NYLOC NUT. TYPICAL



SECTION DETAIL A

TOLERANCES		SCALE		DRAWING No.	
LINEAR ±1.0	DRAWN	N.T.S.		A4-928	
ANGULAR ±0.2°	BJM				
HOLE CTRS ±0.5	DATE				
	6.5.96				
	REV				
	B				