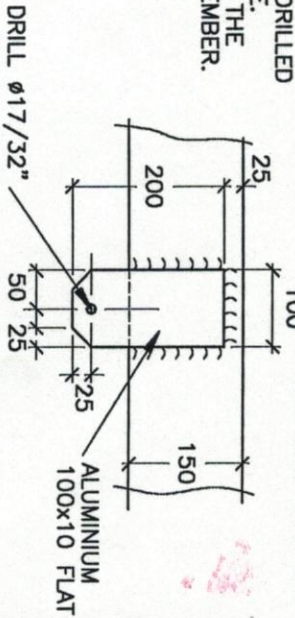


DRAINAGE HOLES TO BE DRILLED IN UNDER SIDE OF FRAME. $\phi 3/8"$ AND 20mm FROM THE END OF EACH SEALED MEMBER.

MARINE DOCK SYSTEMS FLOTATION MODULE FLO333-184 2 REQD.

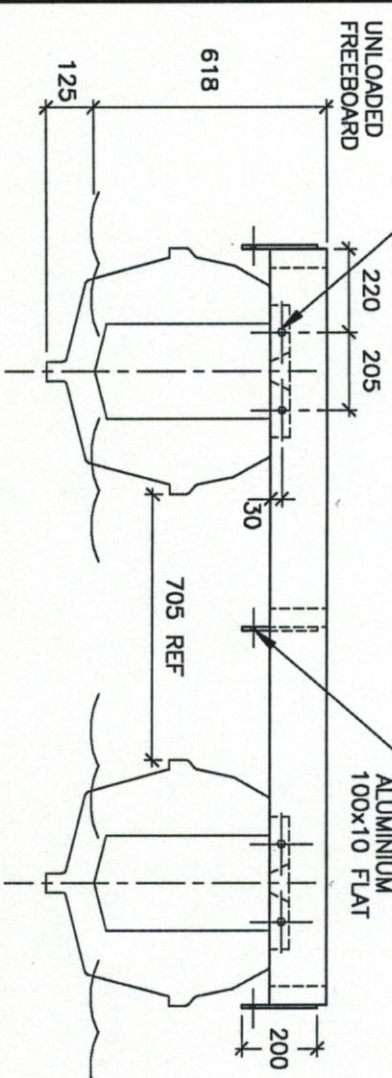
FRAME ALUMINIUM 150x50x3 BOX

FLOAT FASTENERS $3/8"$ UNC x 5" BOLTS WITH 2x 1-1/2" WASHERS AND NYLOC NUTS TYPICAL.



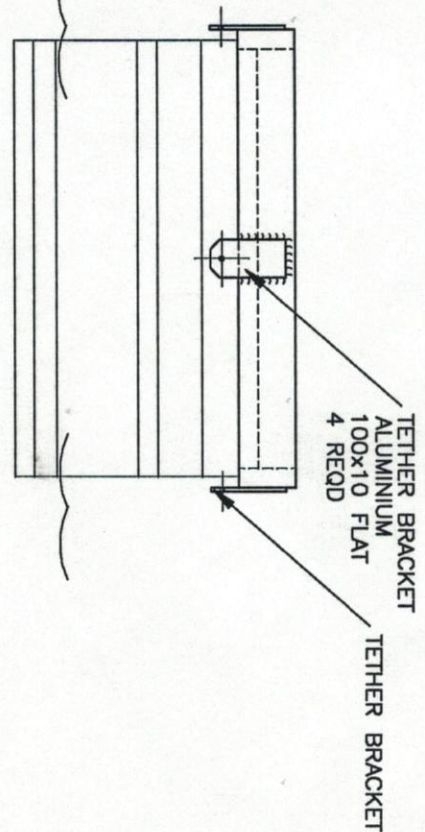
NOTE-ALL STRUCTURE IS TO BE FULLY WELDED WITH A NOMINAL FILLET RADIUS OF 5mm

- ALL EXTRUSIONS ARE TO BE OF GRADE 6063 T5 OR EQUIVALENT.
- FILLER ALLOY IS TO BE OF GRADE 5356.
- ALL FASTENERS ARE CORROSION RESISTANT, STAINLESS STEEL.
- ALL FASTENERS ARE $3/8"$ UNC. x 5" BOLTS WITH 2x 1-1/2" WASHERS AND NYLOC NUTS.



TETHER BRACKET IS NOT SHOWN IN THIS VIEW

PROFILE



APPROX. WEIGHT 80kg.

MARINE DOCK SYSTEMS PTY LTD

PUMP PONTOON

PONTOON-927



SCALE	N.T.S.	DRAWING No.
DRAWN	J.P.M	
DATE	15.7.97	REV
		B

A4-927