

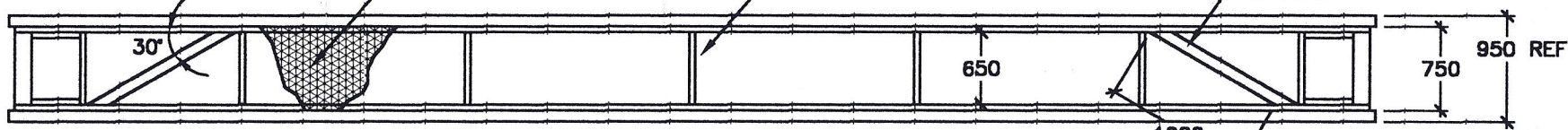
COPYRIGHT ALL RIGHTS RESERVED

DO NOT SCALE

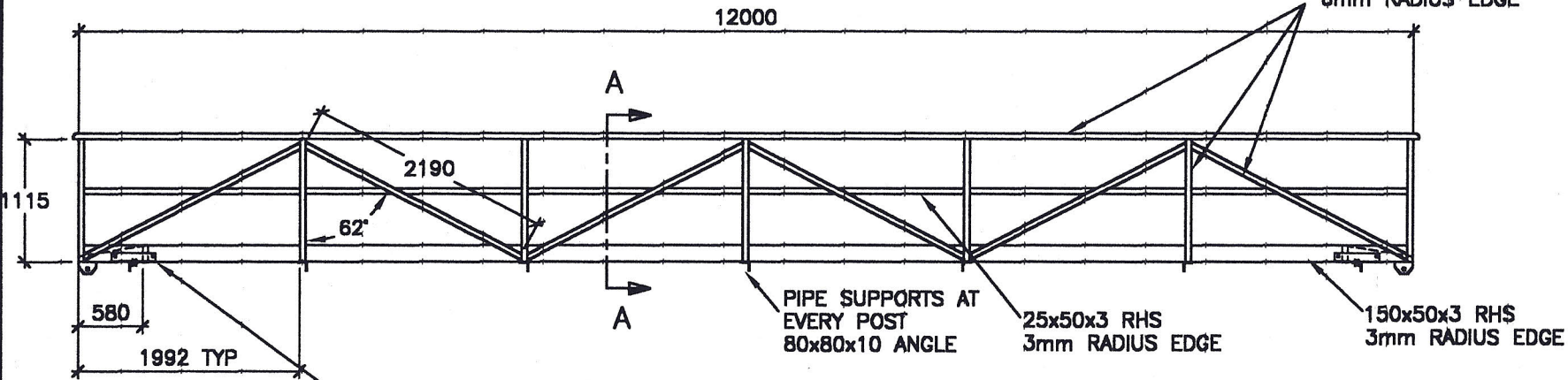
DECKING
AMPLIGRIP 201/600
SERIES EXPANDED
ALUMINIUM MESH

150x50x3 RHS
TYP.

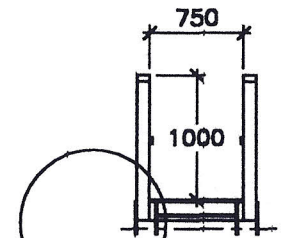
100x50x3 RHS
FLUSH TO THE
BOTTOM



PLAN



PROFILE



DETAIL A
REFER
DRAWING
A4-2533

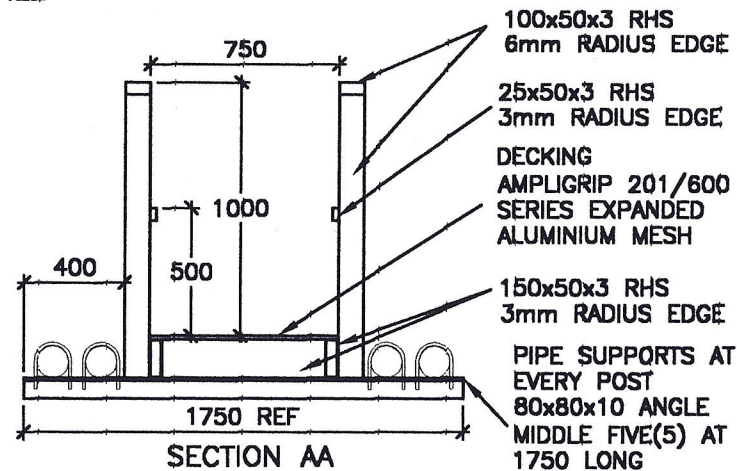
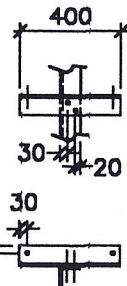
END VIEW

END PIPE SUPPORT
ADJUSTABLE (2000
LONG)
80x80x10 ANGLE

PIPE SUPPORTS AT
EVERY POST
80x80x10 ANGLE

25x50x3 RHS
3mm RADIUS EDGE

150x50x3 RHS
3mm RADIUS EDGE



SECTION AA

END FOUR(4)
2000mm LONG
WITH THE LAST
TWO(2) BOLTED

NOTE:
-ALL STRUCTURE IS FULLY WELDED
WITH A NOMINAL FILLET OF 5mm
-ALL EXTRUSIONS ARE OF GRADE
6063-T5 OR EQUIVALENT.
-FILLER ALLOY IS GRADE 5356
-ALL FASTENERS ARE CORROSION
RESISTANT STAINLESS STEEL.

GANGWAY WEIGHT-390kg APPROX.

**MARINE DOCK SYSTEMS
PTY LTD**

**DAIRY FARMERS
BOMADERRY**

**PONTOON GANGWAY
12m DETAIL**



SCALE	N.T.S.	DWG	A4-2816	
DRAWN	JPM	REV	B	22,8,02
DATE	22,8,02	CHK		APP'D